

Brother

brother[®]

HR-15XL, The Affordable Daisy Wheel Printer

Printout quality need not be sacrificed simply because of cost. This is the philosophy behind Brother's new HR-15XL daisy wheel printer. Features such as a 3K (5K optional) buffer, text reprinting (copy), two-color printing, and shadow printing team up to provide quick, clear printouts. Such options as paper feeders and the exclusive Brother keyboard unit offer further versatility. HR-15XL also incorporates such welcome functions as bidirectional 17 character per second printing, proportional spacing, automatic underlining, super and sub script capabilities. Brother HR-15XL . . . in a class way ahead of the rest.



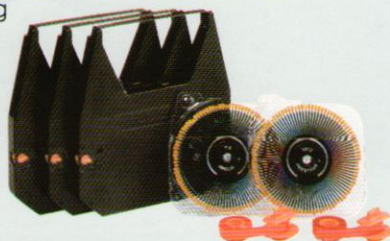
Brother's advanced printer features for the highest quality letters.

Daisy wheel cassettes

Brother daisy wheel cassettes slip in and out without getting ink on fingers or damaging the elements.

Ribbon cassettes

Brother mess-less ribbon cassettes snap in and out with minimum effort and no dirty fingers.



Text reprinting

Set the printer to continuously print out whatever is stored in its buffer with the press on a button.

Proportional spacing

Innecessary gaps between characters are eliminated by adjusting the space allotted for each letter according to its size for uniform appearance and professional finish.

Impact control

Allows control of the print impact.

Two-color printing

Characters, words or phrases can be printed in another color for added emphasis.

Direct printing

Lets you use your computer's keyboard as an electronic typewriter.

Shadow printing

Ideal for stressing text segments and other items that require emphasis.

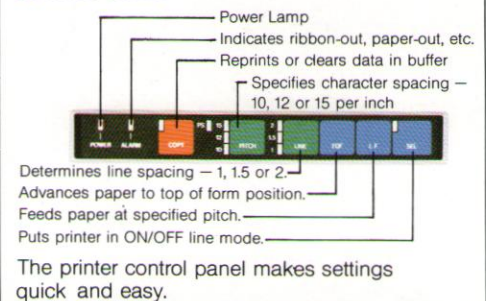
Auto underlining

Underline anything automatically during printout.

Super/sub script

Ideal for fractions, exponential and other notations.

Control panel



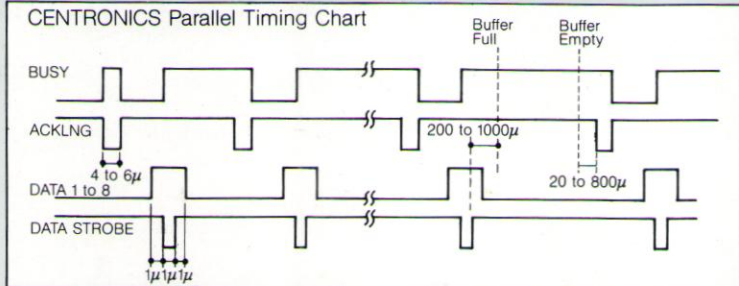
Features

- Buffer . . . 3K bytes (option 5K byte)
- Color printing (Red and Black)
- Shadow printing
- Super/sub script
- Auto underlining
- Carriage skip movement
- Proportional spacing
- Text reprinting
- Clear buffer

Specifications

■ HR-15XL Printer

Interface CENTRONICS parallel, RS-232C serial



Print speed	17 CPS
Print wheel	96 characters/wheel, Cassette type (Easily changed by operator)
Print wheel life	10 million characters Min./wheel
Character/line	110 characters (1/10"), 132 characters (1/12"), 165 characters (1/15")
Paper width	13.5 inches (343 mm)
Copy capacity	Original (45 kg) + 4 copies (15 kg)
Carriage motion	Bi-directional: 10, 12, 15 positions/inch, Proportional spacing, Minimum increment 1/120 inch
Carriage return speed	1,100 ms Max.
Paper feed	Bi-directional, Friction platen
Paper feed speed	2.5 inches/second
Line spacing	6, 4, 3 positions/inch Minimum increment 1/48 inch
Ribbon	Cassette type: Single strike ribbon (60,000 char. Max.) Multi strike ribbon (150,000 char. Max.) Fabric ribbon (500,000 char. Max.) Correctable ribbon (60,000 char. Max.)
Control panel	Indicators: SELECT, POWER, ALARM, COPY, LINE, PITCH Switches: SELECT, LF, TOF, LINE, PITCH, COPY
Noise	Less than 65 d.B. A scale
Temperature	10°C to 40°C (50°F to 104°F) (operating)
Humidity	20% to 80% (operating, non-condensation)
Power	100, 115, 220, or 240 V AC, 50 & 60 Hz
Power consumption	50W
Reliability	MTBF 3,000 HRS (25% Duty)
Dimensions	464 (W) × 166 (H) × 330 (D) mm (18.3 × 6.5 × 13.0")
Weight	8.9 kg (19.6 lbs)

*Specifications are subject to change without notice.

Optional accessories

KB-50 Keyboard

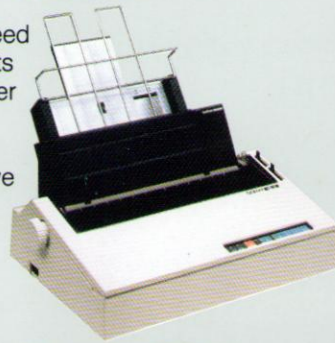
Plug in the KB-50 typewriter keyboard and turn the HR-15XL into a typewriter in just seconds!



Key	46 keys
Key form	Step Sculpture
Key touch	Tactile feeling
Roll over	2 key Roll over
Dimensions	408 (W) × 20.5 (H) × 187 (D) mm (16.0 × 0.8 × 7.4")
Weight	1.0 kg (2.2 lbs)

CF-50 Cut Sheet Feeder

The CF-50 will automatically feed up to 150 sheets of standard letter (8 1/2 × 11) paper into the HR-15XL to save time and effort.



Paper width	Max. 8 1/2 inches (216 mm)
Paper capacity	150 sheets
Paper feed speed	2.5 inches/second

TF-50 Tractor Feeder

The TF-50 continuously feeds fan fold paper to the HR-15XL smoothly and reliably.



Paper width	Max 12 inches (305 mm)
Paper feed speed	2.5 inches/second

Standard Control Codes

Symbol	Function
BEL	Bell
BS	Back space
LF	Print and Line Feed
FF	Print and Form Feed
CR	Print
DC1	Printer select
DC3	Printer deselect
CAN, DEL	Cancel
VT	Vertical Tabulation
HT	Horizontal Tabulation

ESC Control Codes

Symbol	Function
ESC+BS	1/120" BS
ESC+HT+n	Absolute HT movement
ESC+LF	Reverse paper feed
ESC+VT+n	Absolute VT movement
ESC+FF+n	Page length set: Reset to DIP switch by ESC+S
ESC+CR+P	Printer reset
ESC+RS+n	VMI set: Reset to switch panel by ESC+S
ESC+US+n	HMI set: Reset to switch panel by ESC+S
ESC+"	Auto LF "ON"
ESC+#	Auto LF "OFF"
ESC+&	Shadow, double print clear
ESC+—	VT set at current position
ESC+/	Auto backward print set
ESC+0	Right margin set at current position
ESC+1	HT set at current position
ESC+2	All HT, VT clear
ESC+5	Forward print set
ESC+6	Backward print set
ESC+8	Current position HT clear
ESC+9	Left margin set at current position
ESC+A	Red print set
ESC+B	Black print set
ESC+C	Top margin, bottom margin clear
ESC+D	Paper feed backward 1/2 of VMI
ESC+E	Auto underline set
ESC+F	Double print set
ESC+H	Auto strike-out set
ESC+I	Auto strike-out clear
ESC+L	Bottom margin set at current position
ESC+P	PS mode set
ESC+Q	PS mode clear
ESC+R	Auto underline clear
ESC+S	Reset to switch panel, DIP switch
ESC+T	Top margin set at current position
ESC+U	Paper feed 1/2 of VMI
ESC+W	Shadow print set
ESC+X	WP clear
ESC+Y	Prints 20H of print code table
ESC+Z	Prints 7FH of print code table
ESC+\<	Auto backward print clear